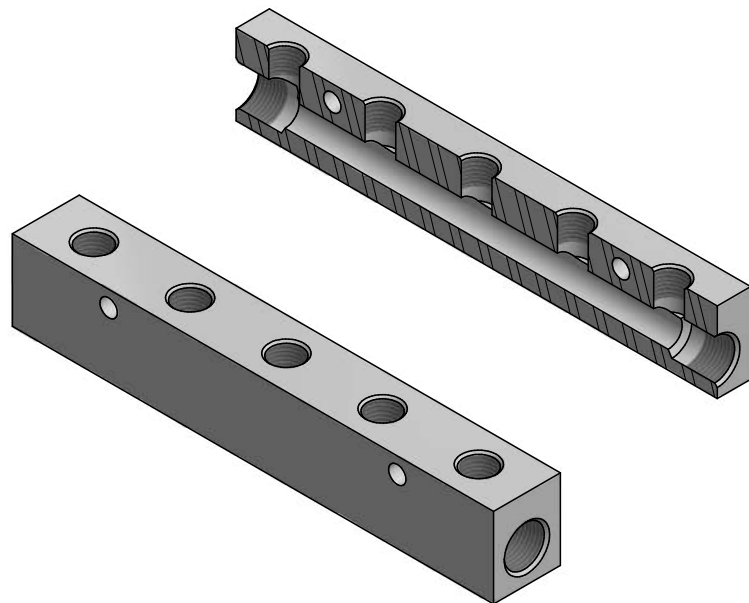

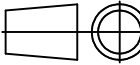


ENTRY →



 www.ifom.it	MATERIAL: ALUMINUM ALLOY 6005 (30x25)	MASS (kg): 0,291 kg	DATE: 09/07/20
	TREATMENT: TUMBLE FINISHING	GENERAL TOLERANCES: ±0,25	
DESCRIPTION: COLLET. SERIE LUNGA USCITE LINEARI 2 ENTRATE 3/8 5 USCITE 1/4		CODE: SL.CL.2E3/8.5U1/4	

THIS DRAWING, EXCLUSIVE PROPERTY OF OUR COMPANY, IS STRICTLY CONFIDENTIAL AND MUST NOT BE TRANSFERRED, IMITATED OR REPRODUCED WITHOUT OUR WRITTEN CONSENT