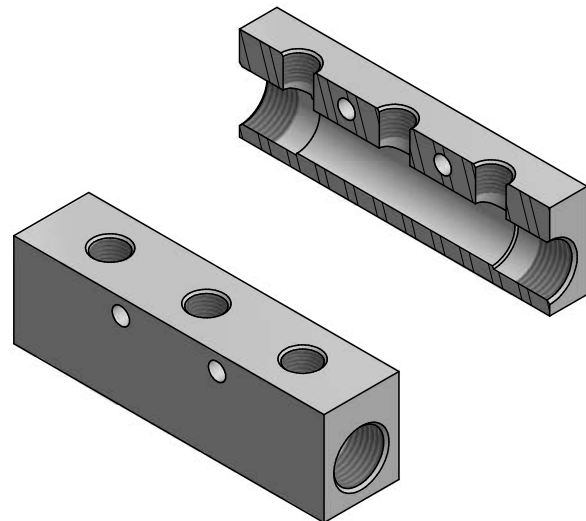
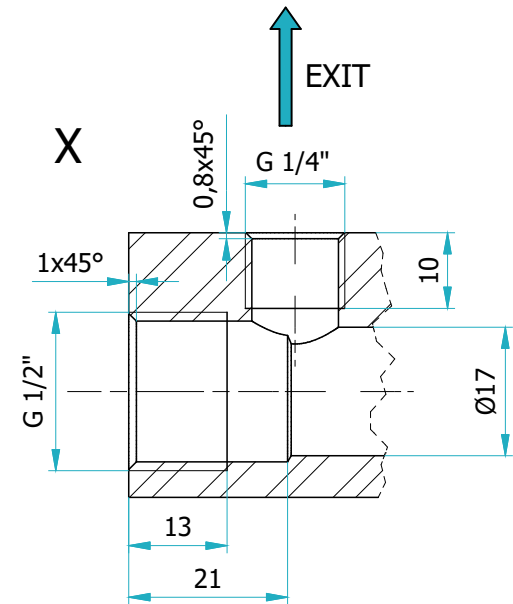

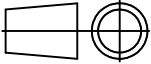


ENTRY →



 <a href="http://www.ifom.it">www.ifom.it</a>	MATERIAL: ALUMINUM ALLOY 6005 (35x28)	MASS (kg): 0,215 kg	DATE: 09/07/20
	TREATMENT: TUMBLE FINISHING	GENERAL TOLERANCES: ±0,25	
DESCRIPTION: COLLET. SERIE LUNGA USCITE LINEARI 2 ENTRATE 1/2 3 USCITE 1/4		CODE: SL.CL.2E1/2.3U1/4	

THIS DRAWING, EXCLUSIVE PROPERTY OF OUR COMPANY, IS STRICTLY CONFIDENTIAL AND MUST NOT BE TRANSFERRED, IMITATED OR REPRODUCED WITHOUT OUR WRITTEN CONSENT