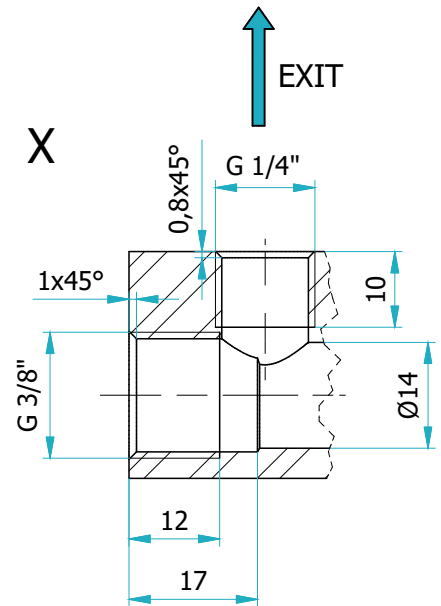

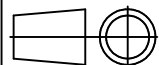


ENTRY →



 <a href="http://www.ifom.it">www.ifom.it</a>	MATERIAL: ALUMINUM ALLOY 6082 (30x20)	MASS (kg): 0,233 kg	DATE: 10/07/20
	TREATMENT: TUMBLE FINISHING	GENERAL TOLERANCES: ±0,25	
DESCRIPTION: COLLET. SERIE LUNGA USCITE LINEARI 2 ENTRATE 3/8 6 USCITE 1/4		CODE: EVT 15206	

THIS DRAWING, EXCLUSIVE PROPERTY OF OUR COMPANY, IS STRICTLY CONFIDENTIAL AND MUST NOT BE TRANSFERRED, IMITATED OR REPRODUCED WITHOUT OUR WRITTEN CONSENT