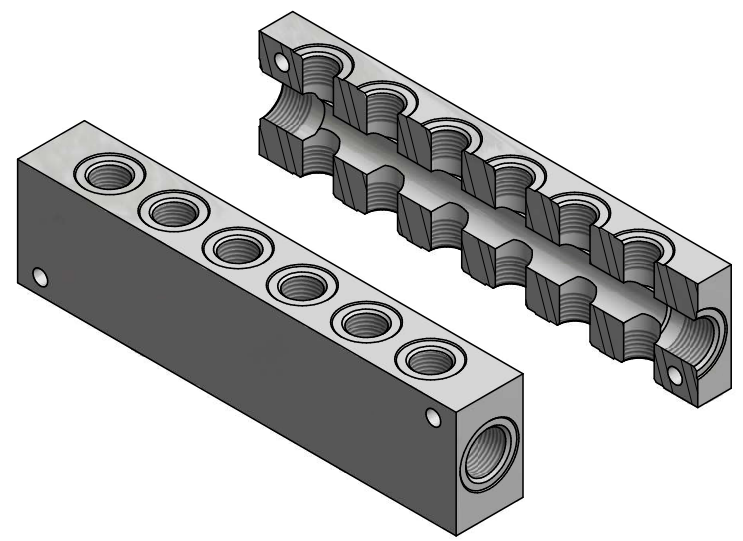

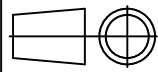


ENTRY



 www.ifom.it	MATERIAL: ALUMINUM ALLOY 6005 (40x25)	MASS (kg): 0,326 kg	DATE: 19/11/19
	TREATMENT: TUMBLE FINISHING	GENERAL TOLERANCES: ±0,25	
DESCRIPTION: COLLET. USCITE CONTRAPPOSTE 2 ENTRATE 3/8 6 USCITE 1/4		CODE: CC.2E3/8.6U1/4	

THIS DRAWING, EXCLUSIVE PROPERTY OF OUR COMPANY, IS STRICTLY CONFIDENTIAL AND MUST NOT BE TRANSFERRED, IMITATED OR REPRODUCED WITHOUT OUR WRITTEN CONSENT